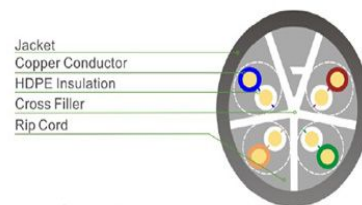




SPECIFICATION SHEET

UMACABLE HIGH QUALITY CAT6A U/UTP NETWORK CABLE

ITEM NO.: UMNW1201

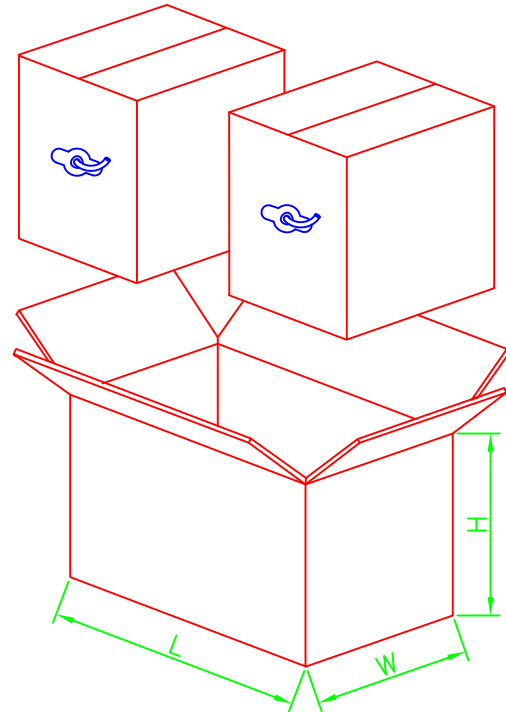
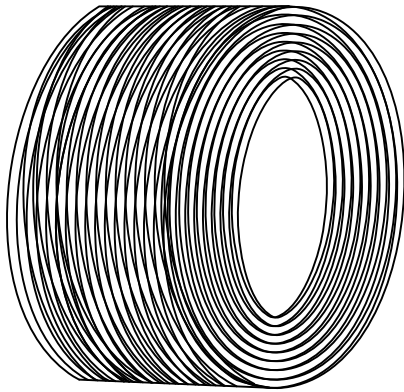


KEY FEATURES :

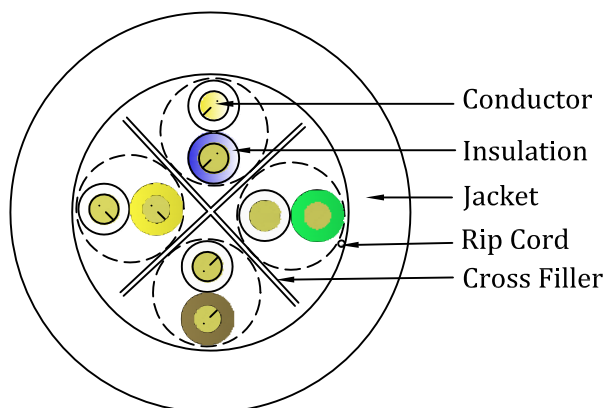
- High Quality CAT6A U/UTP Unshielded Network Cable
- Meets and Exceeds ANSI/TIA-568-C.2 and ISO/IEC 11801 Specification
- Tested to 500 MHz and support 10 Gigabit Ethernet
- Foot or Meter marked to show the amount of cable left in the box
- Lifetime Warranty

UMACABLE HIGH QUALITY CAT6A U/UTP NETWORK CABLE

UMACABLE HIGH QUALITY CAT6A U/UTP NETWORK CABLE



Construction



Electrical Characteristics:

Impedance:	100±15(Ohms) @ 1-250MHz
DC Resistance Unbalance (%) :	Max 2.5
DC Resistance 20°C:	8.4 (Ohms/100m)
Pair-to-Ground Capacitance Unbalance:	330(pF/100M)
Insulation Resistance:	>5000 MΩ*Km

Conductors (4 pairs)

Conductor Type:	23AWG Solid Bare Copper
Insulation:	HDPE
Color:	White-Blue/Blue, White-Orange/Orange, White-Green/Green, White-Brown/Brown

Customized Parameters

Guage:	AWG 24, 23
Length:	100m, 305m
Color:	Customized
Package type:	Easy Pull Box

Physical Characteristics:

Dielectric Strength:	DC 2500V 2S
Temperature Rating:	80°C
Operating Temperature Range:	-20°C - 80°C
Storage Temperature Range:	-25°C - 85°C
Approvals:	RoHS, CE, UL Compliant

Overall

Jacket:	PVC, LSZH, LDPE, CMX, CM, CMR, CMP
OD:	7.5±0.2mm